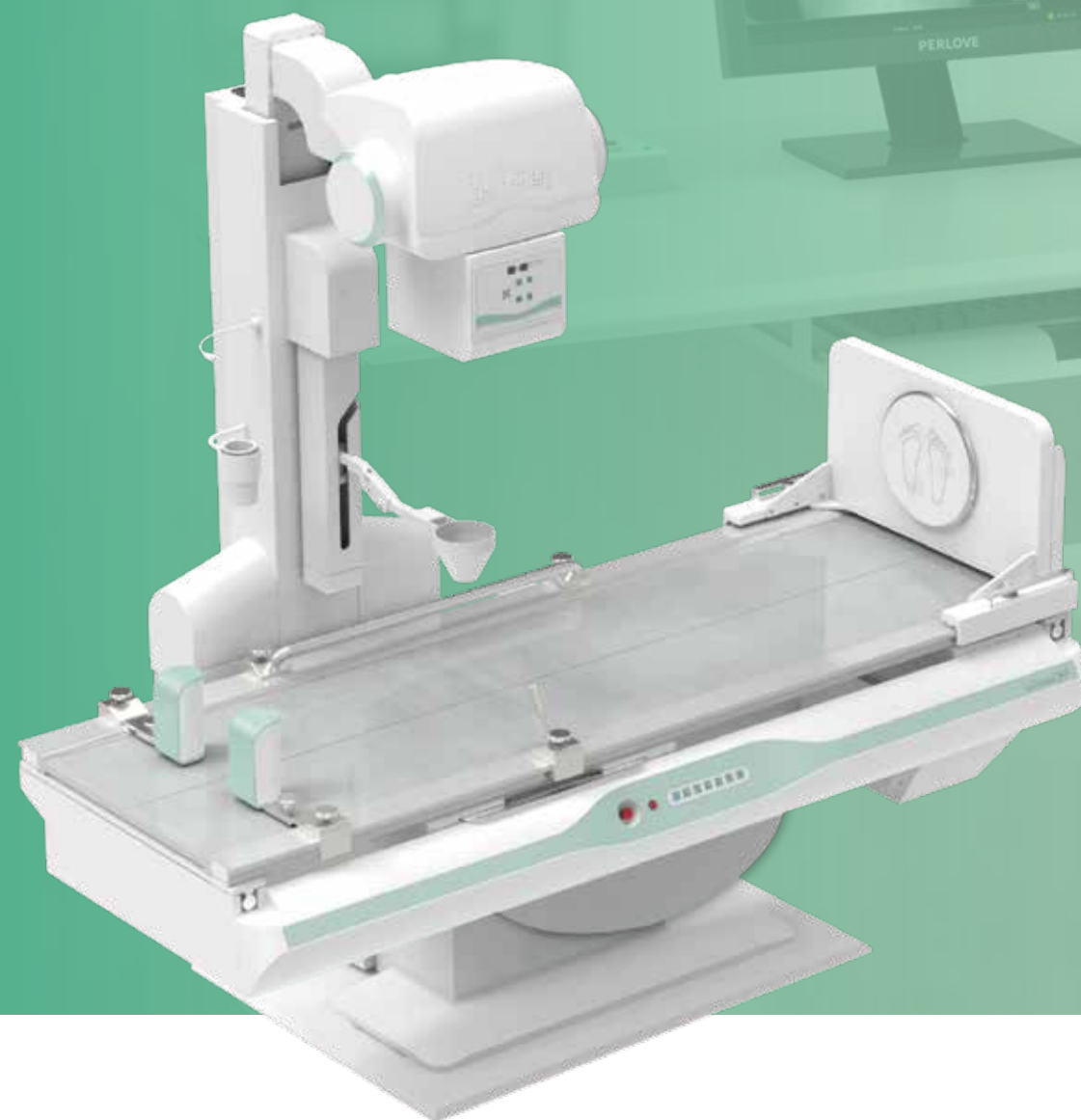


# Tech Contributes Health



PERLOVE, WORLD OF LOVE

## PLD6000 Dynamic FPD Radiography and Fluoroscopy System



**NANJING PERLOVE MEDICAL EQUIPMENT CO.,LTD.**

Add: NO. 97&99, Wangxi Road, Jiangning District, Nanjing, 211122, China

Tel : +86-25-87187780

+86-25-68571666 9353

Fax : +86-25-87187780

Http: //www.perlove.com.cn

E-mail: per.service@perlove.com.cn



## Company Introduction

**Lead with Science and Technology Build Dreams with Ingenuity**

Ever since the company was founded in 2003, Perlove Medical is a high-tech enterprise integrating the research, production, sales and service of medical imaging equipment. While the focus of these activities has varied, one thing has never changed: Perlove is customer demand-oriented and has always demonstrated a strong commitment to society with the right and qualified product and service. As a high-tech company, Perlove firmly engage in self-research and technology innovation to make products close to clinical demands and continuously enhance the progress of medical technology. All come to help the improvement of global medical condition and reduce the medical cost. Located in Nanjing, China, Perlove's products are serving clients in over 100 countries and districts across the globe.

## Industry Leader, Trusted by Customers



Devoted to Imaging System  
for nearly 20 years



General radiology equipment  
one-stop supplier



Mobile products have led the  
domestic market share for more  
than 10 consecutive years



Nearly 70,000 square  
meters of production  
and office area



Medical X-ray National  
Standard Designated Unit



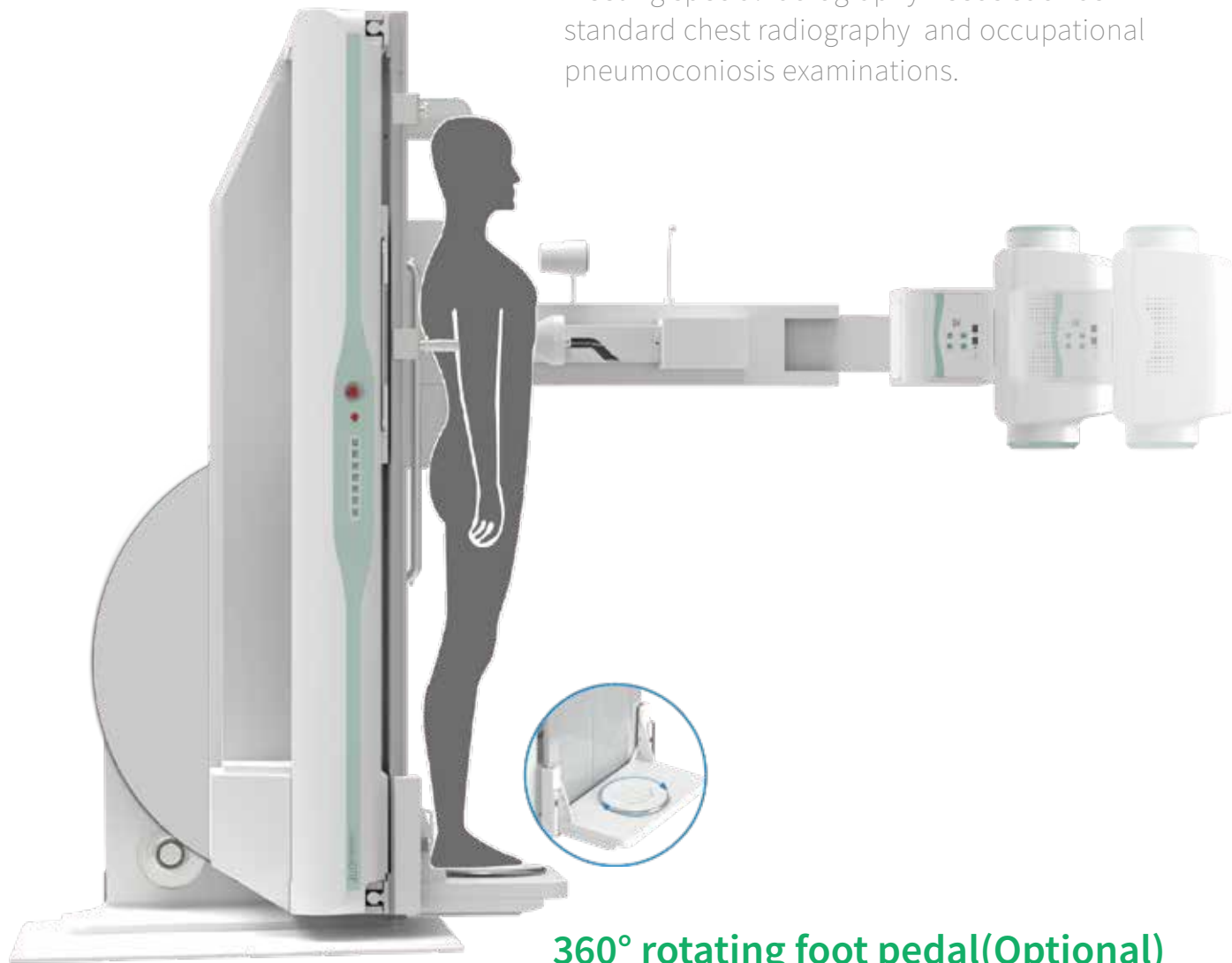
Sold to more than 100  
countries and regions  
around the world

# PERLOVE MEDICAL

# High Performance and Intelligent

## SID electrically stretched to 1.8m

- Meeting special radiography needs such as standard chest radiography and occupational pneumoconiosis examinations.



## 360° rotating foot pedal(Optional)

- The load-bearing capacity up to 200KG, safely and easily satisfy the inspection needs of various body types.

## Digital radiography

- Suitable for radiography of all body parts

## Digital fluoroscopy

- Suitable for fluoroscopy of all body parts

## Digital radiography with contrast agent

- Gastrointestinal tract radiography, salpingography.

## Precise digital spot imaging

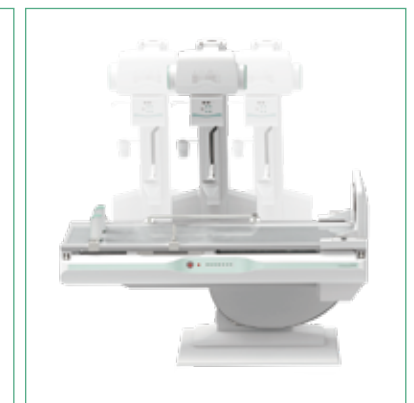
- Obtain high-definition images and accurately capture lesions during fluoroscopy, avoiding missed diagnoses and misdiagnosis caused by blind shots.



Table rotates in a wide range to meet the needs of different body positions.



Table horizontally moving, reduce movement of patients.



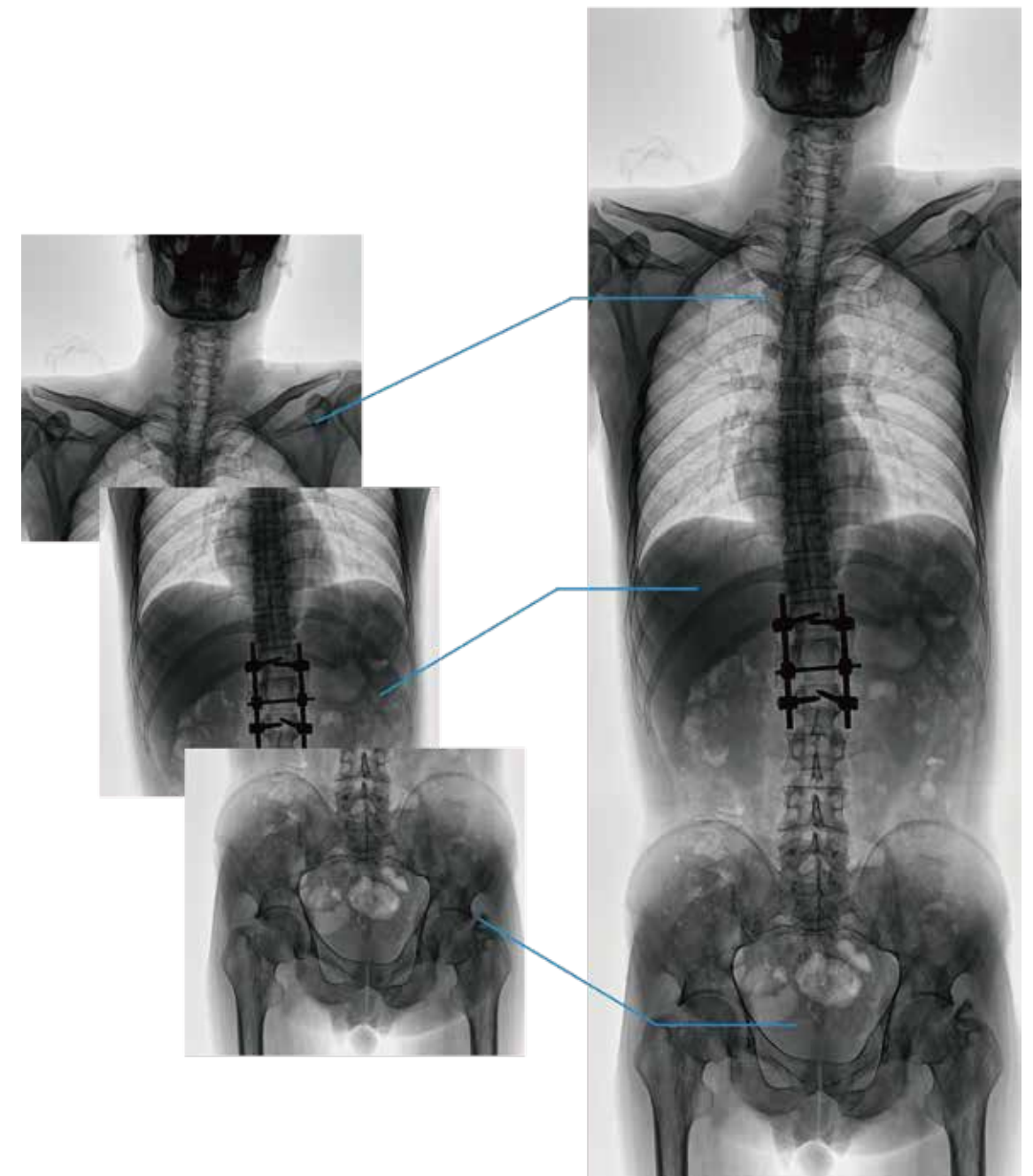
The spot film device move longitudinally in a wide range, cover whole body parts' examinations.



# High Performance and Intelligent

## Automatic stitching function - accurate and precise(Optional)

- Panoramic images of full spine, full lower limbs
- Accurate measurements of preoperative planning and postoperative surgery
- One-step radiography, providing more reliable diagnostic basis for clinical practice



# Cloud Image Interconnection

## DAP - Dose visualized, safety assured(Optional)

- The pioneer usher in intelligent radiation dose monitoring system
- Synchronous dose monitoring system of hardware and software, guaranteeing more accurate diagnosis



## Pulsed fluoroscopy - Low dose and sharp images

- Multiple fluoroscopy modes
- Instant exposure
- Lower dose to protect doctors and patients



# Stable and Reliable Image Chain



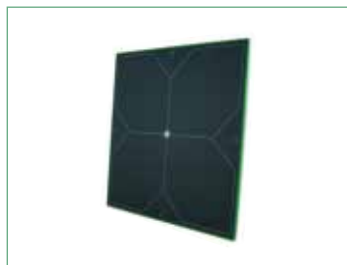
## Self-developed ultra-high frequency and high voltage generator

- Good X-ray source
- Strong penetration ability
- Low-dose radiation
- Stable performance
- High-quality image
- High efficiency



## Imported high-quality X-ray tube

- Large heat capacity
- High rotate speed of X-ray tube
- Suitable for long time and high-intensity work
- Have long service life



## Dynamic flat panel detector

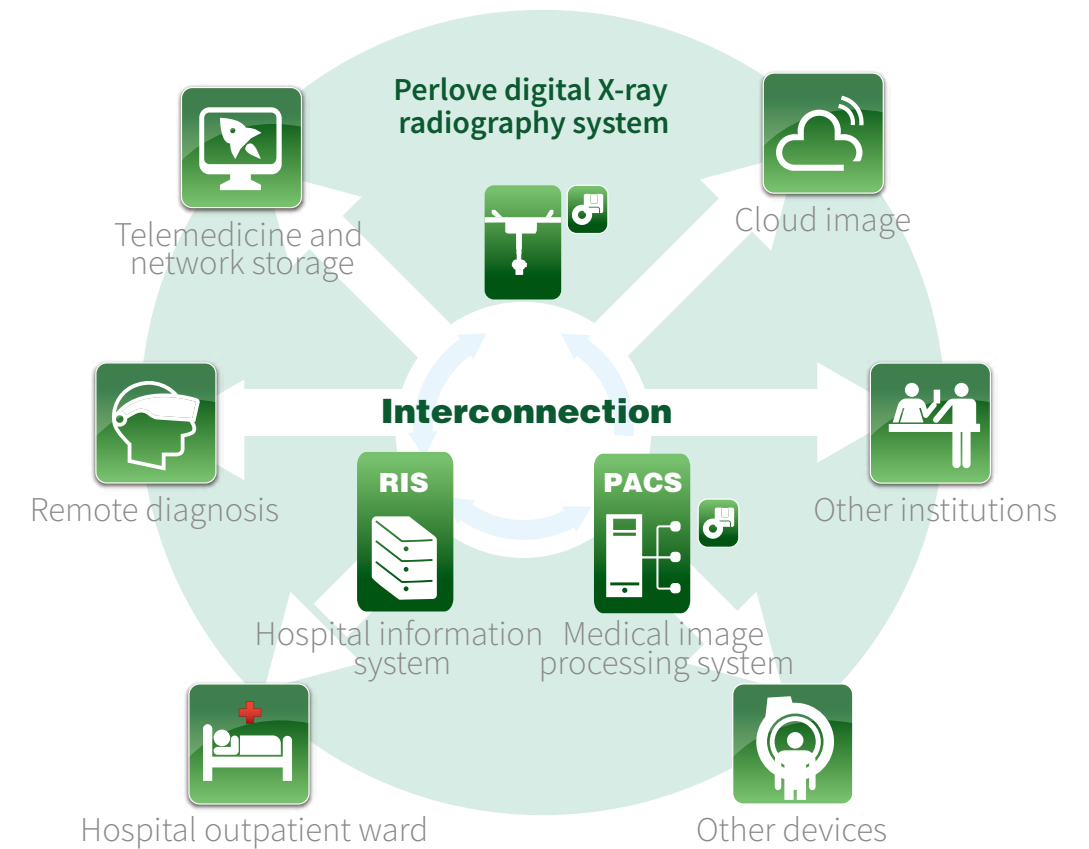
- Standard high-resolution dynamic flat-panel detector



## Removable dual grid

- Removable grid for reducing radiation
- Designed for pediatrics

## Certifications- ISO approved



- The system can be maintained remotely, it can perform fault self-diagnosis and display function quickly and accurately determine the fault status and has self-protection function.
- It can share information with PACS system, bring benefits for remote diagnosis.